



► Model G-SND

Global Series® Signaling Platform – Sounder

Federal Signal Global Series® Sounders are available in explosion-proof Ex versions, increased safety Ex de wiring box versions and are certified for gas Group IIC environments.

The Global Series Sounder can be wired to perform two separate functions. A single tone can be selected via a rotary switch; once power is supplied, it will sound the selected tone. Alternatively, multiple tones can be selected remotely by choosing the appropriate combination of inputs.¹ This allows a unique sound to match a specific alarm condition or to be used to escalate an alarm condition.

The Global Series sounder can be combined with all other Global Series audible and visual products in several custom configurations. Custom configurations can be ordered directly from the factory. Optional coupling kits, which allow limited field fixturing, are available.

FEATURES

- Supports 3 operational voltages: 24VDC, 120VAC 50/60Hz, and 230VAC 50/60Hz
- Optional 316 stainless steel ratchet adjustable mounting U-bracket (field installation required)
- Gain control
- Non-metallic corrosion resistant design
- 15 watt design
- Field customizable legend plates available²
- Optional indicator rings are available in six colors: Black, Blue, Green, Magenta, Red and Yellow
- Two M20 entries standard on Ex d models, three M20 entries standard on Ex de models
- Type 4X, IP66 enclosure
- Zone 1, 21 Rated, IECEx, ATEX, Ex d IIC, Ex de IIC and Ex tb IIIC
- UL and cUL Listed for Class I, Division 2, Groups A, B, C and D; Class II, Division 2, Groups F and G; Class III
- UL and cUL Listed for Class I, Zone 1 AEx db IIC T4: Zone 21, AEx tb IIIC T4/135°C, excludes increase safety versions (Ex de)
- UL Fire Listed (24VDC operating voltage ONLY)

MODEL	OPERATING VOLTAGE	NOMINAL OPERATING CURRENT ³	DECIBELS ⁴	
			10'	1 M
G-SND	24VDC	0.460 amps	98	108
	120/230VAC 50/60Hz	0.140/0.080 amps	98	108

¹ Refer to application guide for specific wiring details

² Recommended labels: BRADY #B-855 Toughwash labels or ULINE #S-16643 weather resistant

³ Operating current varies with frequency content and input power

⁴ Measured using on-board tone 9 at nominal input voltage

UL/cUL HAZARDOUS LOCATION RATING

TEMPERATURE CODE AT 70°C

Class I, Division 2, Groups A, B, C, D	T4
Class II, Division 2, Groups F, G	T6
Class III	T6

UL/cUL HAZARDOUS LOCATION CLASS/ZONE

TEMPERATURE CODE AT 70°C

T4

ATEX/IECEx HAZARDOUS LOCATION RATING

TEMPERATURE CODE AT 49°C

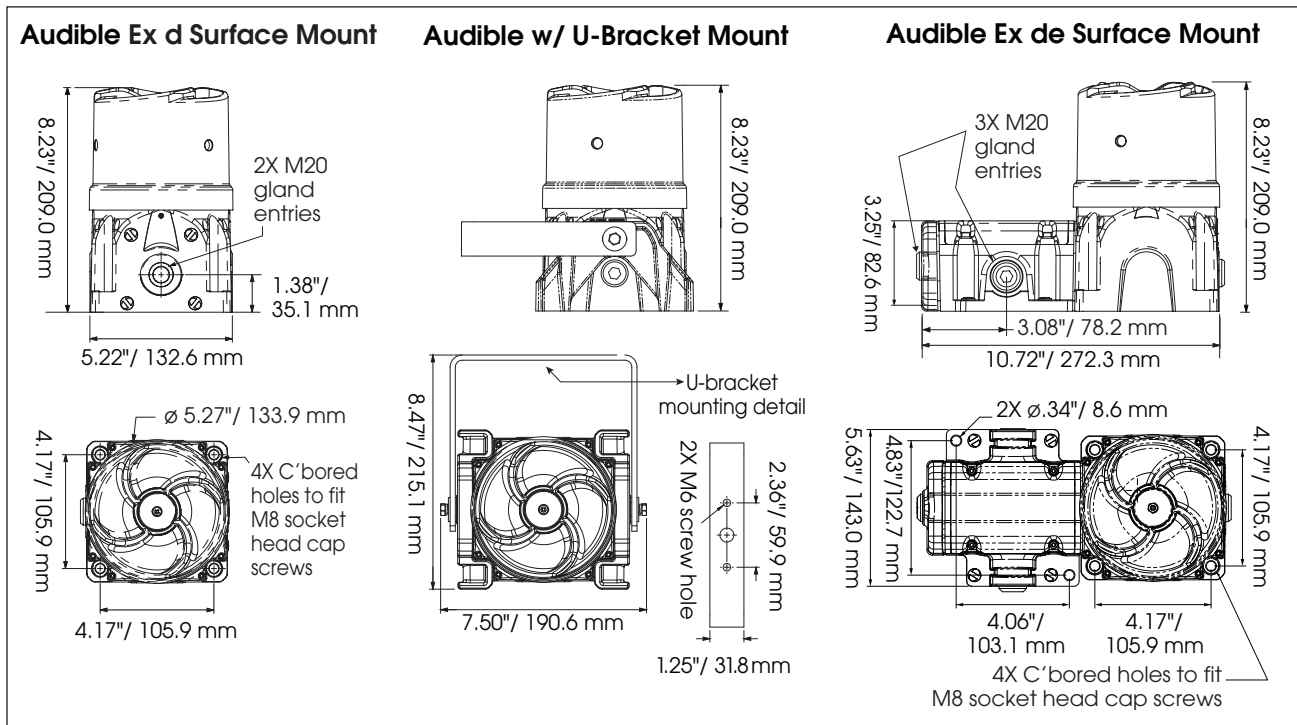
T5 (in IIB)
T4 (in IIC)

TEMPERATURE CODE AT 70°C

T4 (in IIB)
T4 (in IIC)



Global Series® Signaling Platform – Sounder (G-SND)



SPECIFICATIONS

Operating Temperature: -67°F to 158°F -55°C to 70°C

ATEX/IECEx Certification Marking:

- Ex db IIB T5 Gb or Ex db e IIB T5 Gb
- Ex tb IIIC T100°C Db IP66
- Ex db IIC T4 Gb or Ex db e IIC T4 Gb
- Ex tb IIIC T135°C Db IP66
- ATEX: Baseefa15ATEX0155X
- IECEx: IECEx BAS 15.0104X

External Fasteners: 316 stainless steel

Terminals: Ex d: 11 way block (3 in, 3 out with 4-tone selection terminals & select line)

Ex de: 3-pole, 4 position quad pole terminal blocks

Cable Entries: Ex d: 2 entries - M20 x 1.5
Ex de: 3 entries - M20 x 1.5

UL and cUL Certification Marking:

Class I, Division 2, Groups A,B,C,D T4 @ 70°C

Class II, Division 2, Groups F,G

T6 @ 70°C

Class III

T6 @ 70°C

UL and cUL E12629

Net Product Weight:

Ex d Surface Mount	9.61 lbs	4.36 kg
Ex d U-Bracket Mount	11.59 lbs	5.26 kg
Ex de Surface Mount	12.43 lbs	5.64 kg

REPLACEMENT PARTS

Description	Part Number
-------------	-------------

Multi-voltage G-SND Sounder Kit (Includes PCBAs, Bracket, Driver, & Mounting Screws)	K859501404
--	------------

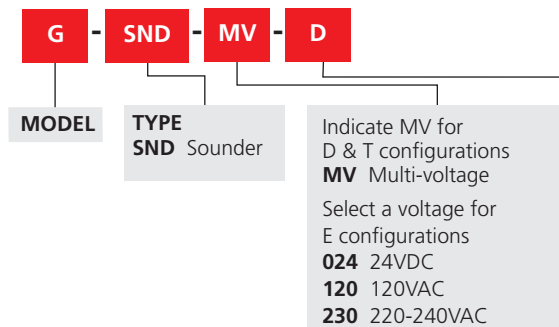
Accessories

E-Box Endcap with M20 Opening	K859500805-02
E-Box Endcap with M25 Opening	K859500805-01
E-Box Cover Assembly (Includes two terminal blocks, mounting plate, retention hardware)	K859501414
Adapter, M20 Male to 1/2" Female NPT	K231246A
Adapter, M20 Male to 3/4" Female NPT	K231247

* Field Installation Required

Reference Global Series accessory product page 160 for list of available accessories

HOW TO ORDER



CONFIGURATION

- D Ex d Surface Mount
- T Ex d U-Bracket Mount*
- E Ex de Surface Mount



www.delga.com

delgasa@delga.com

+5411 4298-0184

#B50000769 Rev. A0